

Direct Links ...

- Cross Reference
- RoHS/LF P/N search
- Document & Drawing search
- Application tooling

Services ...

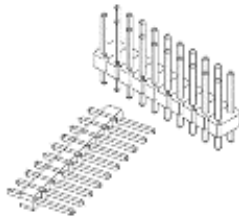
- Contact us
- Distributor list
- Pricing request
- Order samples

Literature ...

- Brochures & catalogs
- Product documentation
- Technical library

68000-436HLF

Assistant



68000-436HLF - BergStik®

Unshrouded header, Through Hole, Single row, 36 Positions, 2.54 mm Pitch, Vertical, 5.84 mm (0.23 in.) Mating, 2.41 mm (0.095 in.) Tail

ACTIVE

Customer Drawing



Electronics division

- Email Datasheet
- Print Datasheet

FCI Brings You More

- Contact our sales/technical support
- Sample request
- Price request
- Check distributor stock

Mating Half



75915-336LF 36 Position PCB Mounted Receptacle Through Mount, Top Entry, Single Row



76341-336LF 36 Position PCB Mounted Receptacle Through Mount, Top Entry, Single Row



71607-336LF 36 Position Horizontal Card Connector, Surface Mount, Single row

Download document

Technical Resources

- > 3D IGES
- > RoHS qualification documents
- > Product Specification
- > 3D PROE

Literature

- > Basics+ Product Focus
- > Basics+ Brochure
- > Connectors for Medical Devices Brochure
- > Products for MicroTCA and AdvancedMC modules Brochure
- > Connector Overview Brochure
- > Bergstik PIP Brochure

Application Tooling

- > Asia Pacific Application Tooling
- > Americas Application Tooling
- > Europe Application Tooling

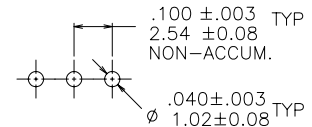
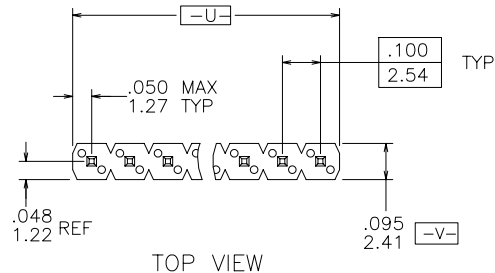
Specifications

General	
Number of contacts (per row)	36
Number of contacts (Total)	36
Number of rows	1
Orientation	Vertical
Packaging	Bulk Packaging
Attachment type (Board)	Through Hole
Dimensional	
Length (Overall pin)	10.8 mm (0.425 in.)
Length (Tail)	2.41 mm (0.095 in.)
Mating length	5.84 mm (0.23 in.)
Electrical	
Current rating	3 amp Continuous
Resistance (Insulation)	5000 M ohms
Voltage rating	1500V AC rms
Mechanical	
Retention force	8.88N (2 lbf)
Mounting	
Retention feature (Board)	No
Solder process	Vapor-phase IR reflow soldering processes Compatible with Wave
Physical	
Color (Housing)	Black
Material (Contact)	Phospor Bronze
Material (Housing)	High Temperature Black Thermoplastic
Plating (Contact area)	Tin
Plating (Tail)	Tin
Underplating (Contact)	1.27 µm (50 µin.) Nickel
Flammability rating	UL 94 V-0
Temperature (Range)	-65°C to +125°C
Approvals / Certifications	
Approvals / Certifications	UL and CSA Approved
Other Features	
Comments	Sample kit 950501-016
Literature	950559-001

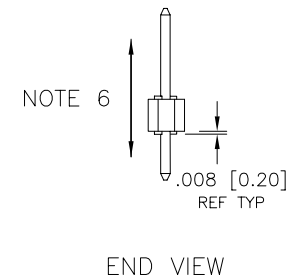
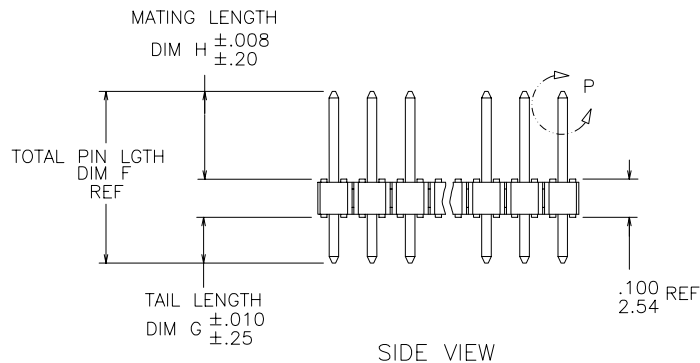
PRODUCT NUMBER

XXXXX-YYYHTLF

- LEAD FREE OPTION
(SEE NOTES 1)
- PACKAGING OPTIONS
(SEE NOTE 1)
- HIGH TEMPERATURE PLASTIC
(SEE NOTE 1)
- NO OF POSITIONS
(SEE NOTE 1)
- PIN PLATING
(SEE SHEET 2)
- BASE PART NO.

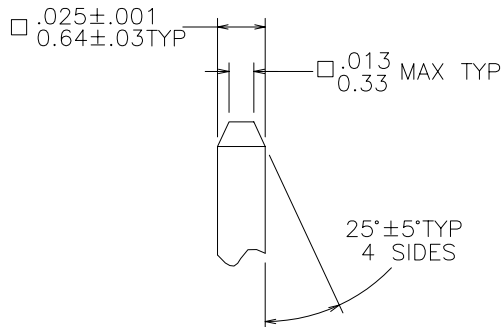


RECOMMENDED HOLE PATTERN



⊕ ∅.020/.51 (M) U (M) V (S)

NOTE 4



DETAIL P
TYP BOTH ENDS

mat'l. code SEE NOTES 2 & 3		surface ISO 1302 ✓		tolerance ISO 406 ISO 1101		projection INCH/MM		product family BERGSTIK	
ltr	ecn no	dr	date	tolerances unless otherwise specified		INCH/MM		title	
CJ	M04-0234	MHT	12/29/04	angles	linear	.xx±.01/0.3		BERGSTIK® II HEADER	
CK	M05-0072	MHT	5/03/05			.xxx±.005/0.13		1.00/2.54cc SR STRAIGHT	
CL	M06-0039	MHT	1/18/06	0°±2'		.xxxx±.0020/0.051		scale 1:1	
CM	M06-0268	MHT	7/17/06	dr	T.BREWBAKER	01/05/95		dwg no	
CN	M06-0346	MHT	9/04/06	engr	T.HANNA	01/05/95		sheet 1 of 8 size	
CP	M07-0118	AGS	2/16/07	chr	J.MURPHY	01/05/95		68000 A3	
CR	M07-0150	AGS	3/06/07	appd	T.HANNA	01/05/95		type Product Customer Drawing	
sheet	revision	CR	CR	CR	CR	CR	CR	CR	CR
index	sheet	1	2	3	4	5	6	7	8

PIN PLATING CODES:	
XXXX-1YY	30u"/0.76u MIN (SEE NOTE 13) OVER 50u"/1.27u MIN Ni
XXXX-2YY	15u"/0.38u MIN (SEE NOTE 13) OVER 50u"/1.27u MIN Ni
XXXX-3YY	50u"/1.27u MIN Au OVER 50u"/1.27u MIN Ni
XXXX-4YY	100u"/2.54u MIN Sn OVER 50u"/1.27u MIN Ni (SEE NOTE 14)
XXXX-4YYHLF	
XXXX-5YY	15u"/0.38u MIN (SEE NOTE 13) OVER 50u"/1.27u MIN Ni
XXXX-6YY	30u"/0.76u MIN (SEE NOTE 13) OVER 50u"/1.27u MIN Ni
XXXX-7YY	30u"/0.76u MIN Au OVER 50u"/1.27u MIN Ni
XXXX-8YY	15u"/0.38u MIN Au OVER 50u"/1.27u MIN Ni
XXXX-9YY	15u"/0.38u MIN GXT OVER 50u"/1.27u MIN Ni
XXXX-0YY	30u"/0.76u MIN GXT OVER 50u"/1.27u MIN Ni

NOTES

1. PART NUMBER OPTIONS:

PIN PLATING CODES (SEE ABOVE)

HIGH TEMP. MATERIAL:

FOR HIGH-TEMPERATURE APPLICATIONS, SPECIFY AN "H" AT THE END OF THE PART NUMBER.

NUMBER OF POSITIONS :

ANY NUMBER OF POSITIONS FROM 1 THRU 36.
 -X00H INDICATES BERGSTRIIP PRODUCT. SEE PAGE 3 FOR SPECIAL GEOMETRY OF THIS CONTINUOUS STRIP PRODUCT.
 AUTOMATED REELS WILL CONTAIN 36,000 PINS.
 SEE SPECIFIC PART NUMBERS FOR AVAILABILITY.

PACKAGING :

NO INDICATOR IS STANDARD PACKAGING IN POLY BAGS.
 EIGHT DIGIT PART NUMBERS FOLLOWED BY A "T" ARE PACKAGED IN TUBES. SEE SPECIFIC PART NUMBERS FOR AVAILABILITY.
 EIGHT DIGIT PART NUMBERS FOLLOWED BY A "C" ARE PACKAGED IN TUBES WITH PICKUP CAP APPLIED. (NOT TOOLED)

BERGSTRIIP™ PART NUMBERS FOLLOWED BY A "B" ARE BULK PRICED.

LEAD FREE :

ADD "HLF" SUFFIX AT THE END OF PART NUMBER FOR LEAD FREE OPTION, NOT AVAILABLE FOR -5YY,-5YYH, -6YY & -6YYH

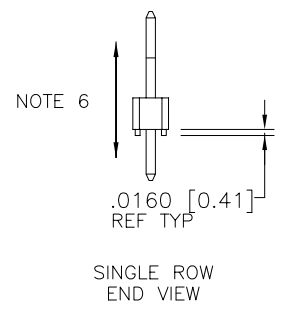
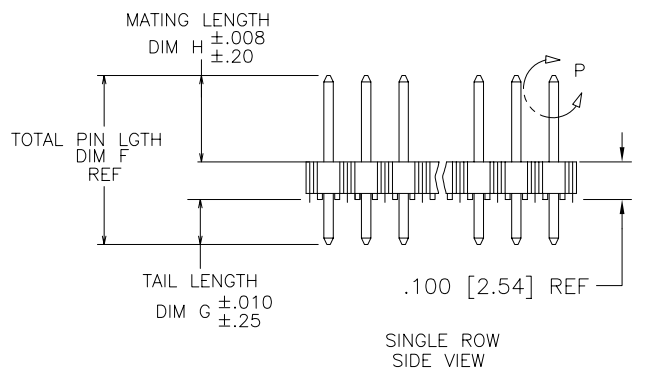
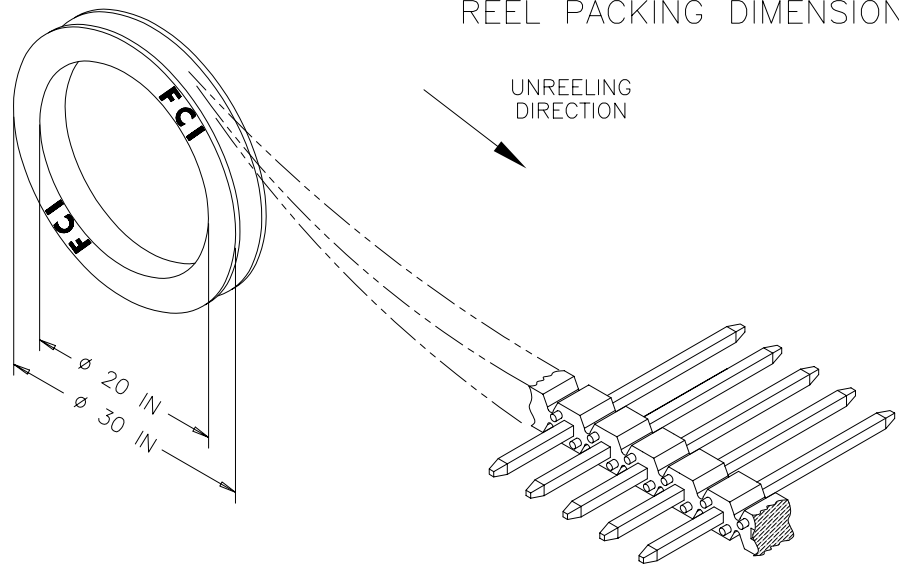
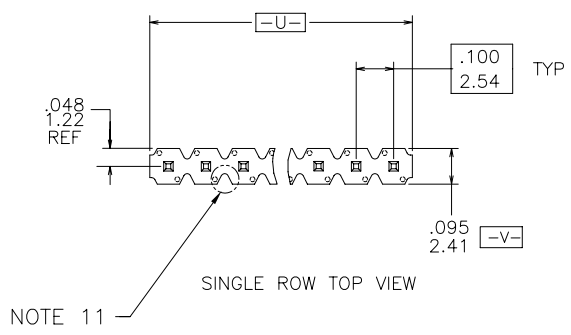
- 2. BODY MATERIAL :
 BERGSTIK: MANUFACTURER'S OPTION OF NYLON OR PCT, GLASS FIBER REINFORCED, FLAME RETARDENT PER UL-94V-0. COLOR : BLACK
 BERGSTRIIP™: PRODUCED WITH HIGH TEMPERATURE LCP THERMOPLASTIC, FLAME RETARDENT PER UL-94V-0. COLOR : BLACK
 PART NUMBERS WITH "H" SUFFIX WILL WITHSTAND EXPOSURE TO 260°C PEAK TEMPERATURE FOR 20 SECONDS IN WAVE SOLDER, INFRA-RED OR VAPOR PHASE SOLDER PROCESS.
 PART NUMBERS WITHOUT "H" SUFFIX WILL WITHSTAND EXPOSURE TO 260°C PEAK TEMPERATURE FOR WAVE SOLDER PROCESS.
- 3. PIN MATERIAL : PHOS-BRONZE.
- 4. MEASURED WITH PART IN RESTRAINED CONDITION.
- 5. TWO SIDES OF PIN TIPS NOT PLATED. TYPICAL BOTH ENDS.
- 6. 2LBS/0.9KG MIN PIN RETENTION IN EITHER DIRECTION.
- 7. PIN CANNOT PROTRUDE PAST EDGE OF HOUSING. MUST BE .005±.005/.13±.13 FROM END OF HOUSING HOLE.
- 8. MILITARY BERGSTIK HEADER
 P/N XXXXX-YYY-MIL.
 NOT AVAILABLE.
- 9. ±.010/0.25 TOL APPLIES TO ALL "G" TAILS EXCEPT INDICATED PARTS ON TABLE WHERE +.010/0.25 -.000/0.00 APPLIES.
- 10. INDICATED PART NUMBERS ARE PRODUCED AND SOLD IN THE TAIWAN/SINGAPORE AREAS. THESE ARE NOT AVAILABLE IN BERGSTRIIP™ CONTINUOUS STRIP.
- 11. NOTCH CONFIGURATION WILL VARY PER VENDOR'S DISCRETION.
- 12. THESE PRODUCTS MEETS EUROPEAN UNION DIRECTIVES AND OTHER COUNTRY REGULATION AS DESCRIBED IN GS-22-008.
- 13. PLATING OPTIONS:
 MAY BE EITHER GOLD OR GXT PLATED AT MANUFACTURER'S OPTION.
- 14. "THIS PRODUCT HAS 100% TIN PLATING IN THE INTERFACE AND HAS NOT BEEN TESTED FOR WHISKER GROWTH IN ALL INTERCONNECT ENVIRONMENTS."

mat'l. code SEE NOTES 2 & 3		surface ISO 1302 ✓		tolerance ISO 406 ISO 1101		projection ⊕		product family BERGSTIK	
ltr	ecn	no	dr	date		tolerances unless otherwise specified		title	
CR						angles	linear	.xx±.01/0.3	INCH/MM
						0'±2'		.xxx±.005/0.13	BERGSTIK® II HEADER
								.xxxx±.0020/0.051	100/2.54cc SR STRAIGHT
				dr	T.BREWBAKER	01/05/95			scale 1:1
				enrg	T.HANNA	01/05/95			dwg no
				chr	J.MURPHY	01/05/95			sheet 2 of 8 size
				appd	T.HANNA	01/05/95			68000 A3
sheet		revision						type Product Customer Drawing	
index	sheet								

1 | 2 | 3 | 4 | 5 | 6

BERGSTRIPTM HEADER

REEL PACKING DIMENSIONS



Copyright FCI

mat'l. code SEE NOTES 2 & 3		surface ISO 1302 ✓		tolerance ISO 406 ISO 1101		projection INCH/MM		product family BERGSTIK	
ltr		ecn no		dr		date		title	
CR								BERGSTIK® II HEADER	
								.100/2.54cc SR STRAIGHT	
								dwg no 68000	
								sheet 3 of 8	
								size A3	
								type Product Customer Drawing	
sheet index		revision sheet							

form: A3 | 1 | 2 | 3 | 4 | 5 | 6

PRODUCT NUMBER	TOTAL PIN LGTH		TAIL LENGTH		MATING LENGTH		PACKAGING	NOTES	BERGSTRIPTM AVAILABLE	LF OPTION
	DIM F	DIM F	DIM G	DIM G	DIM H	DIM H				
	ENGLISH	METRIC	ENGLISH	METRIC	ENGLISH	METRIC				
55492-YYYH	0.315	8.00	0.095	2.41	0.120	3.05	POLY BAGS	-	NO	NOTE 1,12
60017-YYYH	0.640	16.26	0.210	5.33	0.310	7.87	POLY BAGS	-	NO	
60018-YYYH	0.660	16.76	0.250	6.35	0.310	7.87	POLY BAGS	-	NO	
63334-YYYH	0.435	11.05	0.095	2.41	0.240	6.10	POLY BAGS	-	NO	
68000-XY	0.425	10.80	0.095	2.41	0.230	5.84	POLY BAGS	-	YES	
68001-XY	0.450	11.43	0.120	3.05	0.230	5.84	POLY BAGS/TUBES	-	YES	
68002-XY	0.480	12.19	0.150	3.81	0.230	5.84	POLY BAGS	-	YES	
68003-XY	0.525	13.34	0.195	4.95	0.230	5.84	POLY BAGS	-	NO	
68004-XY	0.525	13.34	0.107	2.72	0.318	8.08	POLY BAGS	-	YES	
68024-XY	0.568	14.43	0.150	3.81	0.318	8.08	POLY BAGS	-	YES	
68031-XY	0.513	13.03	0.183	4.65	0.230	5.84	POLY BAGS	-	NO	
68032-XY	0.543	13.79	0.213	5.41	0.230	5.84	POLY BAGS	-	NO	
68033-XY	0.708	17.98	0.473	12.01	0.135	3.43	POLY BAGS	-	NO	
68415-XY	0.615	15.62	0.115	2.92	0.400	10.16	POLY BAGS	-	NO	
68416-XY	0.813	20.65	0.483	12.27	0.230	5.84	POLY BAGS	-	NO	
68418-XY	0.730	18.54	0.400	10.16	0.230	5.84	POLY BAGS	-	NO	
68422-XY	0.631	16.03	0.213	5.41	0.318	8.08	POLY BAGS	-	NO	
68443-XY	0.755	19.18	0.425	10.80	0.230	5.84	POLY BAGS	-	NO	
68456-XY	0.825	20.96	0.115	2.92	0.610	15.49	POLY BAGS	-	NO	
68457-XY	0.548	13.92	0.130	3.30	0.318	8.08	POLY BAGS	-	NO	
68465-XY	0.925	23.50	0.595	15.11	0.230	5.84	POLY BAGS	-	NO	
68466-XY	0.925	23.50	0.128	3.25	0.697	17.70	POLY BAGS	-	NO	
68472-XY	0.913	23.19	0.413	10.49	0.400	10.16	POLY BAGS	-	NO	
68479-XY	0.718	18.24	0.388	9.86	0.230	5.84	POLY BAGS	-	NO	
68483-XY	0.835	21.21	0.417	10.59	0.318	8.08	POLY BAGS	-	NO	
68487-XY	0.705	17.91	0.110	2.79	0.495	12.57	POLY BAGS	-	NO	
68489-XY	1.095	27.81	0.765	19.43	0.230	5.84	POLY BAGS	-	NO	
68490-XY	1.025	26.04	0.695	17.65	0.230	5.84	POLY BAGS	-	NO	
68497-XY	0.612	15.54	0.085	2.16	0.427	10.85	POLY BAGS	-	NO	
68603-XY	0.555	14.10	0.120	3.05	0.335	8.51	POLY BAGS	-	NO	
68604-XY	0.600	15.24	0.120	3.05	0.380	9.65	POLY BAGS	-	NO	



Copyright FCI

mat'l. code SEE NOTES 2 & 3		surface ISO 1302 ✓	tolerance ISO 406 ISO 1101	projection 	product family BERGSTIK
ltr	ecn no dr	date		tolerances unless otherwise specified	title
CR		angles	linear	.xx±.01/0.3 .xxx±.005/0.13 .xxxx±.0020/0.051	BERGSTIK® II HEADER
		0'±2'		INCH/MM	.100/2.54cc SR STRAIGHT
		dr	T.BREWBAKER	01/05/95	scale 1:1
		enr	T.HANNA	01/05/95	dwg no sheet 4 of 8 size
		chr	J.MURPHY	01/05/95	68000 A3
		appd	T.HANNA	01/05/95	type Product Customer Drawing
sheet index	revision sheet				